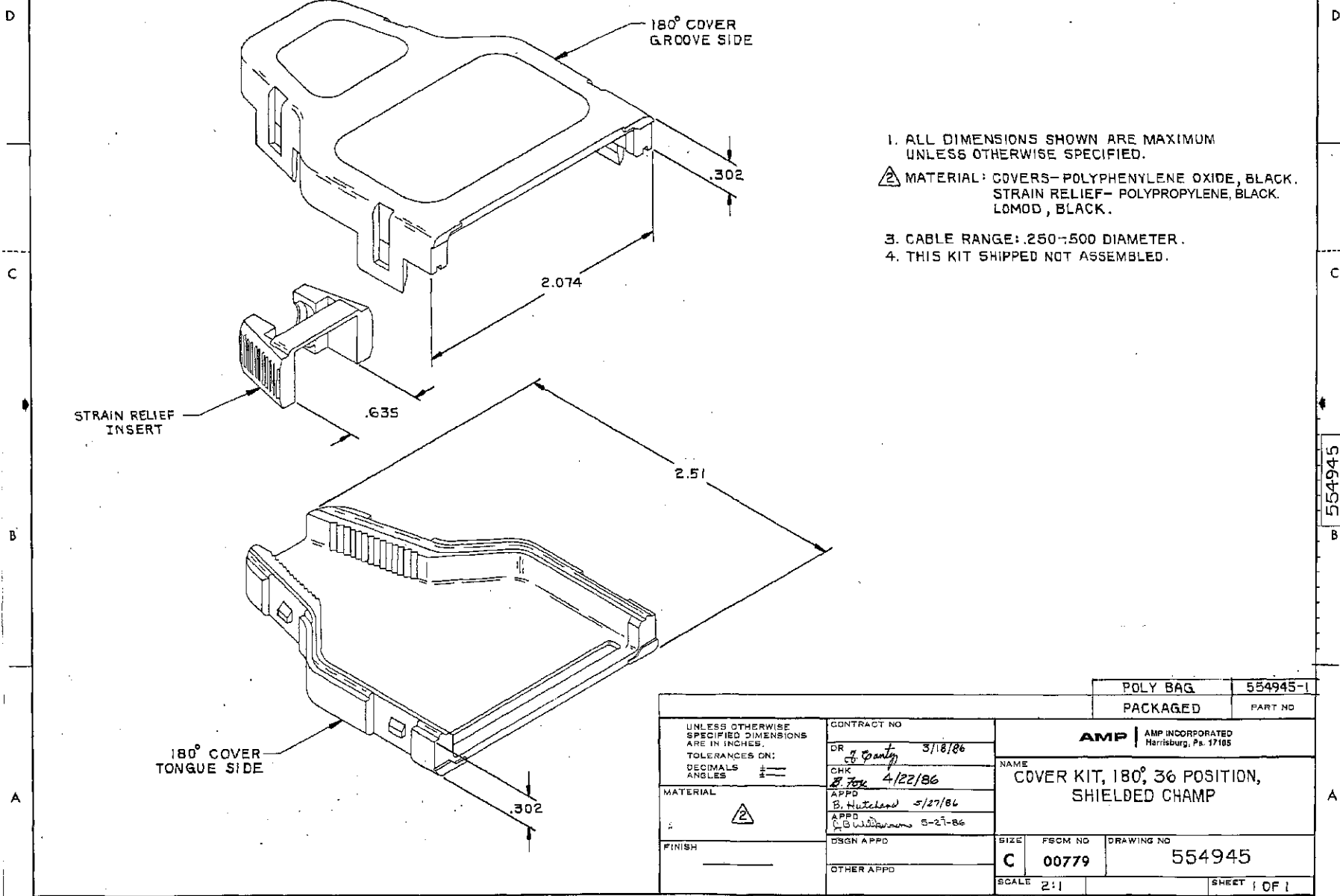


DRAWING MADE IN THIRD ANGLE PROJECTION

GP 00

THIS DRAWING IS UNPUBLISHED. RELEASED FOR PUBLICATION 19
 © COPYRIGHT 19 BY AMP INCORPORATED, HARRISBURG, PA. ALL INTERNATIONAL RIGHTS RESERVED. AMP PRODUCTS MAY BE COVERED BY U.S. AND FOREIGN PATENTS AND/OR PATENTS PENDING.

| REVISES | | DESCRIPTION | DATE APPROVED |
|---------|----------|-----------------------------|---------------|
| F | ZONE/LTR | | |
| | C | REVISED PER EC 0511-0216-03 | 08SEP04 JG |



1. ALL DIMENSIONS SHOWN ARE MAXIMUM UNLESS OTHERWISE SPECIFIED.
2. MATERIAL: COVERS- POLYPHENYLENE OXIDE, BLACK. STRAIN RELIEF- POLYPROPYLENE, BLACK. LOMOD, BLACK.
3. CABLE RANGE: .250-.500 DIAMETER.
4. THIS KIT SHIPPED NOT ASSEMBLED.

554945

| | |
|----------|----------|
| POLY BAG | 554945-1 |
| PACKAGED | PART NO |

| | | | |
|---|-------------------------------|---|----------------------|
| UNLESS OTHERWISE SPECIFIED DIMENSIONS ARE IN INCHES. TOLERANCES ON: DECIMALS ± ANGLES ± | CONTRACT NO | AMP AMP INCORPORATED Harrisburg, Pa. 17105 | |
| | DR <i>C. Gandy</i> 3/18/86 | NAME COVER KIT, 180°, 36 POSITION, SHIELDED CHAMP | |
| | CHK <i>B. Fox</i> 4/22/86 | APPD B. Hutchins 5/27/86 | |
| | MATERIAL △ | APPD C. B. Williams 5-27-86 | DSGN APPD |
| FINISH | SIZE C | FSCM NO 00779 | DRAWING NO 554945 |
| | SCALE 2:1 | SHEET 1 OF 1 | |

AMP 1471-6 REV 2-81

CUSTOMER DRAWING